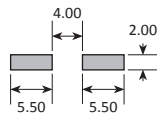


GSX49-4

GSX49-3

SOLDER PAD LAYOUT



## Features

- ▮ Wide frequency range
- ▮ Low profile case
- ▮ Fundamental mode available up to 50.0MHz
- ▮ Large stocks of standard frequencies
- ▮ Lowest cost SM crystal

## Specifications

**GSX49-4: 4.3mm maximum height**

**GSX49-3: 3.2mm maximum height**

| Parameters                          | Product   |   | Option Codes  |
|-------------------------------------|---|---|---|
|                                     | GSX49-4   | GSX49-3   |   |
| Package:                            | HC49-4H SMD<br>HC49-3H SMD  | <input checked="" type="checkbox"/>   | <input checked="" type="checkbox"/>   |
| Frequency range:                    | 3.180 ~ 90.0MHz<br>3.579 ~ 90.0MHz  | <input checked="" type="checkbox"/>   | <input checked="" type="checkbox"/>   |
| Calibration tolerance:              | ±20ppm<br>±30ppm<br>±50ppm<br>Other values (±10ppm ~ ±100ppm)   | <input type="checkbox"/><br><input checked="" type="checkbox"/><br><input type="checkbox"/><br><input type="checkbox"/>   | 2<br>3<br>5<br>specify  |
| Temperature stability:              | ±30ppm<br>±50ppm<br>±100ppm<br>±10ppm ~ ±100ppm   | <input type="checkbox"/><br><input checked="" type="checkbox"/><br><input type="checkbox"/><br><input type="checkbox"/>   | 3<br>5<br>C<br>specify  |
| Operating temperature range:        | -10 to +60°C<br>-20 to +70°C<br>-30 to +80°C<br>-40 to +85°C<br>Other values  | <input checked="" type="checkbox"/><br><input type="checkbox"/><br><input type="checkbox"/><br><input type="checkbox"/><br><input type="checkbox"/>   | 1<br>2<br>3<br>4<br>specify   |
| Storage temperature range:          | -40 to +90°C  | <input checked="" type="checkbox"/>   | <input checked="" type="checkbox"/>   |
| Circuit condition:                  | 12pF<br>16pF<br>18pF<br>20pF<br>30pF<br>Other values  | <input type="checkbox"/><br><input checked="" type="checkbox"/><br><input type="checkbox"/><br><input type="checkbox"/><br><input type="checkbox"/><br><input type="checkbox"/>   | B<br>D<br>E<br>F<br>J<br>specify  |
| Oscillation mode:                   | Fundamental<br>3rd overtone   | <input checked="" type="checkbox"/><br><input type="checkbox"/>   | F<br>3  |
| Equivalent series resistance (max): | 300Ω (>3.1 ~ 3.5MHz)<br>150Ω (>3.5 ~ 4.0MHz)<br>120Ω (>4.0 ~ 4.4MHz)<br>100Ω (>4.4 ~ 7.0MHz)<br>70Ω (>7.0 ~ 10.0MHz)<br>50Ω (>10.0 ~ 50.0MHz, fund)<br>100Ω (>25.0 ~ 90.0MHz, 3rd OT) | <input checked="" type="checkbox"/><br><input checked="" type="checkbox"/><br><input checked="" type="checkbox"/><br><input checked="" type="checkbox"/><br><input checked="" type="checkbox"/><br><input checked="" type="checkbox"/><br><input checked="" type="checkbox"/> | <input checked="" type="checkbox"/><br><input checked="" type="checkbox"/><br><input checked="" type="checkbox"/><br><input checked="" type="checkbox"/><br><input checked="" type="checkbox"/><br><input checked="" type="checkbox"/><br><input checked="" type="checkbox"/> |
| Static capacitance (C0):            | 7pF max   | <input checked="" type="checkbox"/>   | <input checked="" type="checkbox"/>   |
| Ageing:                             | ±3ppm max first year  | <input checked="" type="checkbox"/>   | <input checked="" type="checkbox"/>   |
| Test drive level:                   | 100µW   | <input checked="" type="checkbox"/>   | <input checked="" type="checkbox"/>   |

▮ Standard.  Optional - Please specify required code(s) when ordering

## Ordering Information

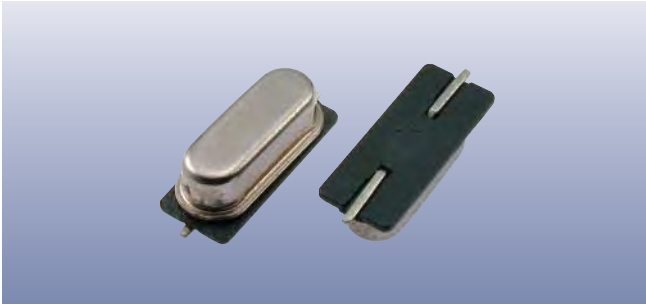
Product name + frequency + circuit condition

eg: **GSX49-4/351DF 20.0MHz** 30/50/10/16-F (standard)

**GSX49-3/5C2S3 48.0MHz** 50/100/20/S-3

Option code X (eg GSX49-4/X) denotes a custom specification.

♦ IMPORTANT: Not normally available in small quantities of non-standard frequencies. Please check with us before ordering.



## Packaging & Handling

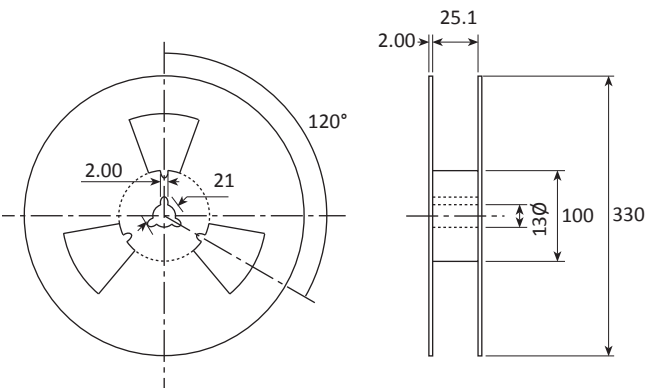
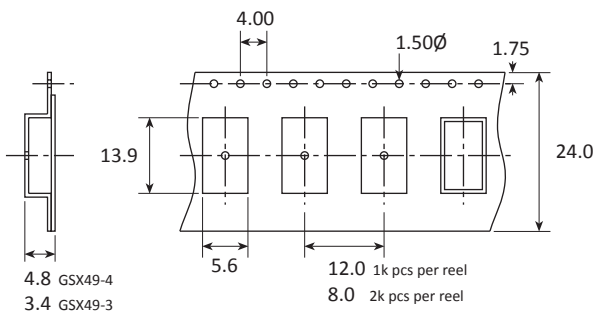
Production quantities supplied on T&R, 1k or 2k pcs per reel. Small quantities may be supplied on tape (no reel), or in bulk.

## Marking

FREQUENCY DC

Marking type: Laser  
DC = Date code

## Tape & Reel Specification



Not to scale. Dimensional tolerances  $\pm 0.1\text{mm}$  unless otherwise stated.

## Construction

- Metal package, hermetic seal
- Insulating base, formed leads

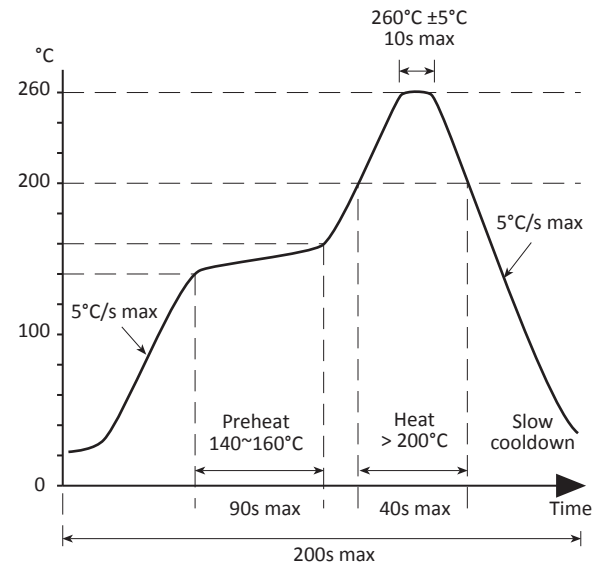
## Composition



This product is lead-free, and is fully compliant with the RoHS directive 2002/95/EC



## Soldering Profile



Maximum solder resistance: 260°C x 10 secs x 2.